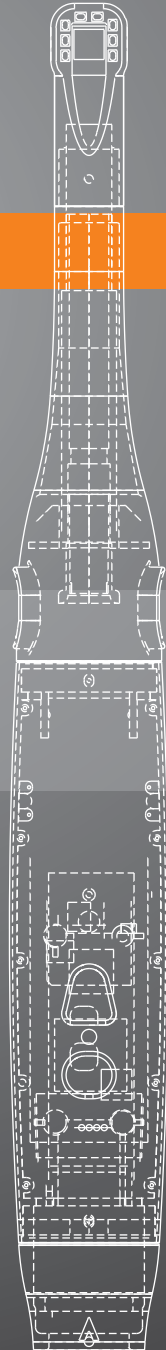


IRIS

IRIS LTE

IRIS LTE Camera Users Guide



Manual
MA0030 (Solus)
Digital Doc LLC



Digital DOC

Table of Contents

1. Safety Instructions
2. Cautions
3. Important Safeguards
4. System Requirements
5. The IRIS LTE Handpiece / Image mirror
6. Camera Controls
7. The IRIS LTE Sheaths
8. Camera Accessories
9. Warranty/Tech Support
Repair Procedures

Safety Instructions



This symbol alerts the user that important literature concerning the operations and maintenance of this unit have been included. Therefore, it should be read carefully in order to avoid any problems.

CAUTION



TO REDUCE THE RISK OF ELECTRIC SHOCK, DO NOT REMOVE COVER. NO USER-SERVICEABLE PARTS INSIDE. REFER MAINTENANCE TO QUALIFIED SERVICE PERSONNEL

WARNING

TO PREVENT FIRE OR ELECTRICAL SHOCK, DO NOT EXPOSE THIS DEVICE TO EXCESSIVE MOISTURE

WARNING

THIS DEVICE IS NOT SUITABLE FOR USE IN THE PRESENCE OF A FLAMMABLE ANESTHETIC MIXTURE WITH AIR OR WITH OXYGEN OR NITROUS OXIDE



ATMOSPHERIC PRESSURE RANGE: 700-1060 hPa



Type BF
Equipment

WATER INGRESS
PROTECTION:
ORDINARY EQUIPMENT

CAUTION

CHANGES OR MODIFICATIONS NOT EXPRESSLY APPROVED BY THE MANUFACTURER COULD VOID THE WARRANTY
MODE OF OPERATION: CONTINUOUS OPERATION ALTHOUGH THE UNIT WILL GO INTO STANDBY AFTER 20 MIN. OF NON-USE

ENVIRONMENTAL OPERATING SPECIFICATIONS

Temperature Range
Operating: 10 °C to 40 °C (50 °F to 104 °F)
Storage: -40 °C to 70 °C (-40 °F to 158 °F)
Relative Humidity
Operating: 30% to 75% (non-condensing)
Storage: 10% to 100% (non-condensing)

Cautions

- Federal law restricts this device to sale by or on the order of a Licensed Dental practitioner.

Cautions on Safety

- Be careful not to damage the USB / Video cables. Be sure to hold the plug when disconnecting the cable.
- Do not place a container with water or liquid, or any small metallic objects on this unit. If water, liquid, or any metallic object enters this unit, disconnect the USB cable immediately and contact Digital Doc.
- If smoke, abnormal sound or smell occurs, disconnect the USB / Video cables cable and contact Digital Doc.
- When the unit is not in use for a long time, disconnect the USB / Video cables cable.
- Do not apply impacts to this unit.

Cautions on Installation

- Do not install this unit in a poorly ventilated place, a dusty place, an unstable place, or where soot or steam occurs.
- Do not use this unit in high temperatures (higher than 40 degrees C) or at temperatures (lower than 0 degrees C)
- Do not use in surgical theaters in hospitals where safety requirements are different from a standard dental clinic.
- It is recommended the unit be turned OFF after 10 Minutes of use to prevent increase of temperature at L.E.D. head.

Cautions on Cleaning

- Disconnect all video / power / USB cables before cleaning.
- Do not wipe the surface using benzene, Dicide, thinner, or Glutaraldehyde, as this may degrade the lens, or damage the handpiece material.
- Lightly wipe off dirt on the cover and or lens with a soft cloth (i.e. flannel, 2x2, etc.)

Important Safeguards

Installation

- Read and follow Instructions- All of the safety and operating instructions should be read before the intraoral camera is operated. Follow operating and usage instructions.
- Retain instructions - The safety and operating instructions should be retained for future reference
- Heed warnings - Comply with all warnings on the camera and in the operating instructions
- This camera should be operated only from the type of power source indicated.
- Attachments - Do not use attachments unless recommended by the camera manufacturer.
- Do not use this camera near water.

CAUTION

MAINTAIN ELECTRICAL SAFETY. POWER LINE OPERATED EQUIPMENT OR ACCESSORIES CONNECTED TO THIS UNIT SHOULD NOT HAVE BEEN MODIFIED SO AS TO DEFEAT THE SAFETY FEATURES. THIS WILL HELP TO AVOID ANY POTENTIAL HAZARD FROM ELECTRICAL SHOCK OR FIRE. IF IN DOUBT, CONTACT QUALIFIED SERVICE PERSONNEL.

System Requirements and Software Compatibility

Computer system requirements

Refer to the minimum requirements of your imaging software

- 2 Ghz Pentium 4 processor
- 1 GB of RAM minimum 2 GB or above recommended
- USB 2.0 interface with high power port
- CD-ROM or DVD drive
- Imaging Software
- Internet connectivity recommended
- Windows XP Professional or above with a minimum of Service Pack 2



Refer to the minimum requirements stipulated by your Imaging software manufacture.

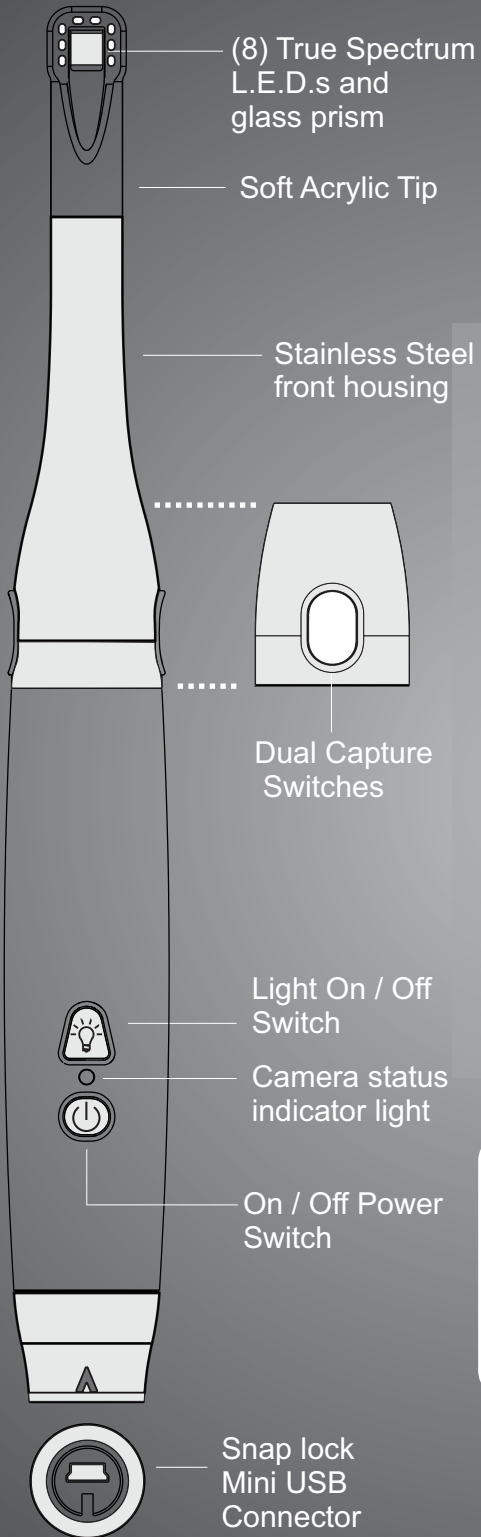
Solus Compatible Imaging Software

AbelDent
Adstra
Aptery
Cadi
Capture-Link
CIEOS
Cleardent
DBS Win
Dental Vision
DentiMax
Dentrix Image 4.5
Dent-X Pro Image
Dexis
Dimaxis Pro
Dolphin
Eaglesoft
Easy Image
Genesis
Image FX
Image XL
Image DDS

Kodak Digital Imaging
Mogo
OMS Vision
Patient Gallery
Patterson Imaging
Romexis
Schick CDR
Sidexis
TDO
VixWin Platinum
VixWin Pro
Tiger View
Tracker
Visora
XDR Digital Radiography
Visix

OEM Versions of Apteryx
CliniView
Dentimax
Image DDS
Lightyear
One View
SUNI Medical Imaging
XL Dent
X-Ray Vision

The IRIS LTE Handpiece



The LTE handpiece is NOT submersible and should be cleaned with an isopropyl alcohol only. Do not use any abrasive cleaners such as Glutaraldehyde or Discide.

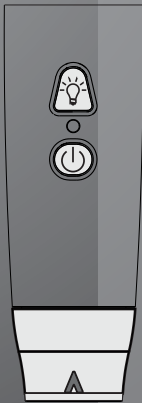
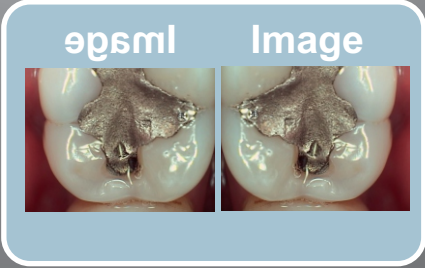


The LTE camera will automatically shut off after 10 Minutes, if the camera is left idle.

Mirror / Anatomic Image



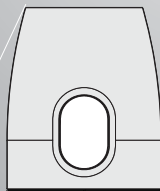
With the camera unplugged, press and hold both the power and light button. Plug the USB cable into the camera, while holding the buttons. The LED's will flash. Unplug the camera and then plug it back in. The image will now be flipped



Camera Info

Camera Controls

Please see the Practice Software section of this manual for capture information.



The Light ON / OFF feature can be used to take images of X-rays that are back-lit. It is recommended that the camera be turned OFF when not in use.

Camera Info



Turns the lights of the camera ON and OFF



Blinking green shows that the camera is in standby mode



Turns the camera power ON and OFF



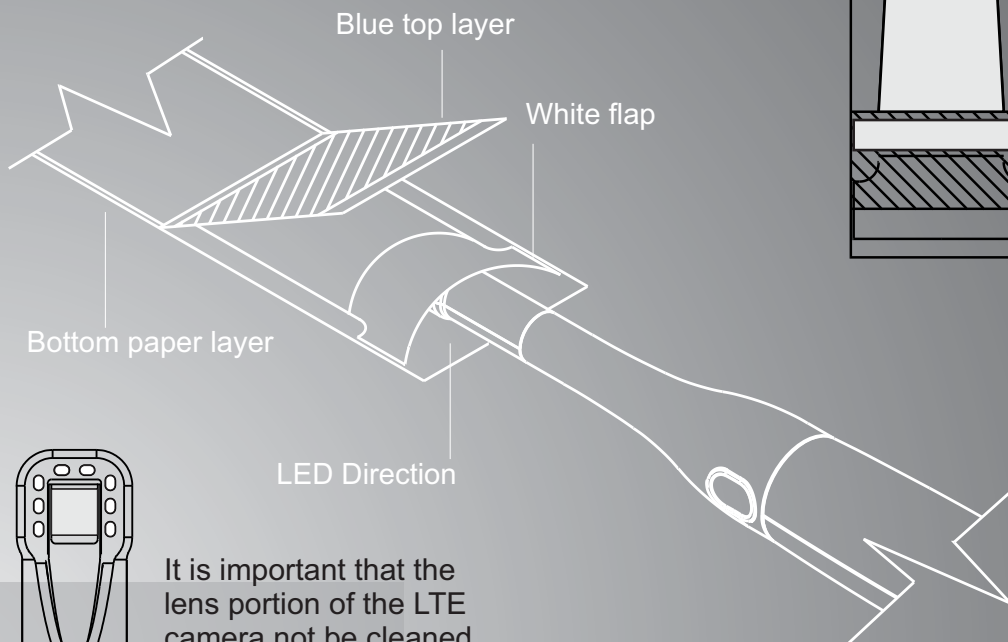
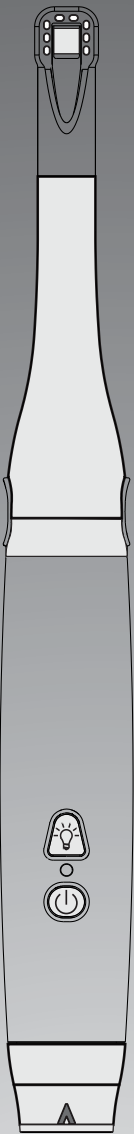
It is normal for the handpiece to be warm while in use. Heat is a factor in any electronic device, It is recommended that the LTE camera be turned OFF when not in use and not exceed continued use of more than 10Min.

The IRIS LTE Sheaths

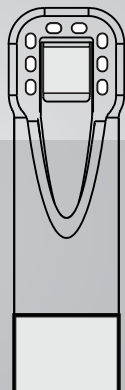
The LTE camera will come with a sample pack of sheaths. These sheaths are designed for intra-oral use only.



When applying the sheaths, slide the handpiece with the LED's facing down under the white flap. Push the handpiece in until the end of the sheath is taut, then peel away the top blue layer and the bottom paper layer. It is recommended that you use the bottom paper layer, or a gloved hand to press the sheath against the lens for approximately 3 seconds.

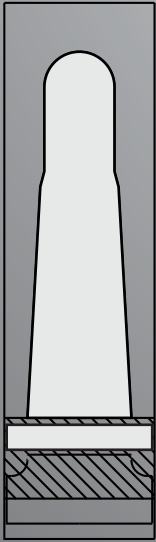


It is important that the lens portion of the LTE camera not be cleaned with any abrasive materials and or chemicals

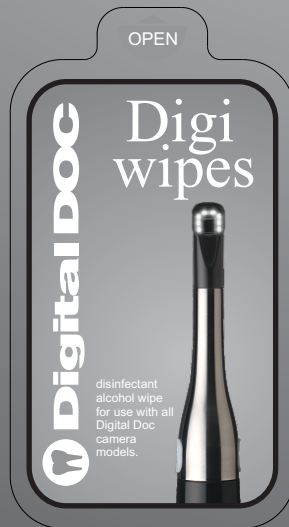
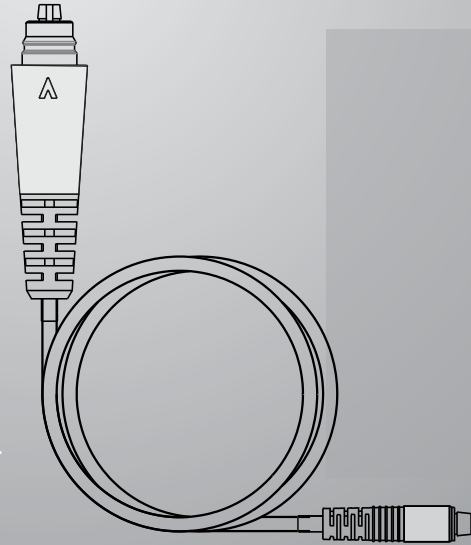


Solus Camera Accessories

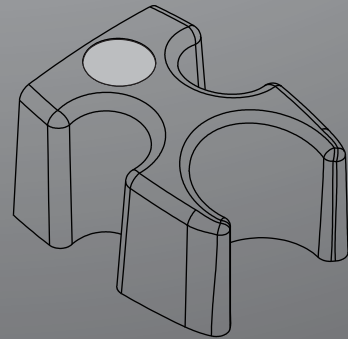
Protective Sleeves
1 Box (500 units)
Part Number
SH0004



Camera Cable
15 Ft.
Part Number
CA0050B



Digi wipes
30-15 packs
Part Number
SH0005



Handpiece Cradle
Part Number
AS0125

Camera Info

 **Digital DOC**
1.800.518.1102

Warranty, Tech Support & Repair Procedures

Digital Doc provides Free Technical Support at 1.800.518.1102

Digital Doc LLC agrees to guarantee parts and labor for each IRIS LTE camera purchased by the doctor for the term of one year from the date of purchase, when used in accordance with manufacturer's instructions. In the event a product is returned by the dealer, or the end user, and the warranty has expired, Digital Doc LLC reserves the right to collect a reasonable fee from the end user for services mutually agreed upon.

Digital Doc LLC does agree to replace any defective camera, free of charge, during the first ninety (90) days from the date of purchase. After the first ninety (90) days, Digital Doc LLC, will repair under warranty the defective item and pay the shipping to return the repaired item to the customer. The customer will be responsible for shipping charges to Digital Doc. If the customer elects to ship the product three-day economy, Digital Doc LLC, will return-ship in the same manner. Further, if the customer elects to ship the product overnight, Digital Doc LLC will reciprocate in the same manner.

Digital Doc LLC will require the end user to phone the Technical Service Department at 800.518.1102. Please have your camera serial number ready prior to contacting Technical Support. Once the cause of the failure has been determined, Digital Doc LLC will issue a "Return Merchandise Authorization" (RMA) number to be written clearly on the outside of the package in which the item is shipped. Items shipped to Digital Doc LLC without the RMA written on the outside of the package will be returned to the customer at their cost. No items will be received for warranty or non-warranty work without the RMA number printed clearly on the package. All non-warranty repairs will need a credit card, or some form of payment prior to the repair work being authorized.

If your repair is deemed under warranty, Digital Doc LLC agrees to repair or replace the item, at Digital Doc's discretion. The item will then be shipped to the person, or persons whose name appears on the shipping label. All non-warranty repairs will be billed at \$135.00 (USD) per hour plus parts. All refusals to authorize non-warranty work will be subject to a one-hour minimum charge. Loaner units are not available.



Digital Doc LLC
El Dorado Hills, CA. 95762
1.800.518.1102
www.digi-doc.com